



# M7CL V2 Editor Installation Guide

## ATTENTION

### SOFTWARE LICENCING AGREEMENT

PLEASE READ THIS SOFTWARE LICENSE AGREEMENT ("AGREEMENT") CAREFULLY BEFORE USING THIS SOFTWARE. YOU ARE ONLY PERMITTED TO USE THIS SOFTWARE PURSUANT TO THE TERMS AND CONDITIONS OF THIS AGREEMENT. THIS AGREEMENT IS BETWEEN YOU (AS AN INDIVIDUAL OR LEGAL ENTITY) AND YAMAHA CORPORATION ("YAMAHA").

BY DOWNLOADING, INSTALLING, COPYING, OR OTHERWISE USING THIS SOFTWARE YOU ARE AGREEING TO BE BOUND BY THE TERMS OF THIS LICENSE. IF YOU DO NOT AGREE WITH THE TERMS, DO NOT DOWNLOAD, INSTALL, COPY, OR OTHERWISE USE THIS SOFTWARE. IF YOU HAVE DOWNLOADED OR INSTALLED THE SOFTWARE AND DO NOT AGREE TO THE TERMS, PROMPTLY DELETE THE SOFTWARE.

#### 1. GRANT OF LICENSE AND COPYRIGHT

Yamaha hereby grants you the right to use the software program(s) and data ("SOFTWARE") accompanying this Agreement. The term SOFTWARE shall encompass any updates to the accompanying software and data. The SOFTWARE is owned by Yamaha and/or Yamaha's licensor(s), and is protected by relevant copyright laws and all applicable treaty provisions. While you are entitled to claim ownership of the data created with the use of SOFTWARE, the SOFTWARE will continue to be protected under relevant copyrights.

- **You may** use the SOFTWARE on **your computer(s)**
- **You may** make one or reasonable copies of the SOFTWARE in machine-readable form for backup purposes only, if the SOFTWARE is on media where such backup copy is permitted. On the backup copy, you must reproduce Yamaha's copyright notice and any other proprietary legends that were on the original copy of the SOFTWARE.
- **You may** permanently transfer to a third party all your rights in the SOFTWARE, provided that you do not retain any copies and the recipient reads and agrees to the terms of this Agreement.

#### 2. RESTRICTIONS

- **You may not** engage in reverse engineering, disassembly, decompilation or otherwise deriving a source code form of the SOFTWARE by any method whatsoever.
- **You may not** reproduce, modify, change, rent, lease, or distribute the SOFTWARE in whole or in part, or create derivative works of the SOFTWARE.
- **You may not** electronically transmit the SOFTWARE from one computer to another or share the SOFTWARE in a network with other computers.
- **You may not** use the SOFTWARE to distribute illegal data or data that violates public policy.
- **You may not** initiate services based on the use of the SOFTWARE without permission by Yamaha Corporation.

Copyrighted data, including but not limited to MIDI data for songs, obtained by means of the SOFTWARE, are subject to the following restrictions which you must observe.

- Data received by means of the SOFTWARE may not be used for any commercial purposes without permission of the copyright owner.
- Data received by means of the SOFTWARE may not be duplicated, transferred, or distributed, or played back or performed for listeners in public without permission of the copyright owner.
- The encryption of data received by means of the SOFTWARE may not be removed nor may the electronic watermark be modified without permission of the copyright owner.

#### 3. TERMINATION

This Agreement becomes effective on the day that you receive the SOFTWARE and remains effective until terminated. If any copyright law or provisions of this Agreement is violated, the Agreement shall terminate automatically and immediately without notice from Yamaha. Upon such termination, you must immediately destroy the licensed SOFTWARE, any accompanying written documents and all copies thereof.

#### 4. DISCLAIMER OF WARRANTY ON SOFTWARE

You expressly acknowledge and agree that use of the SOFTWARE is at your sole risk. The SOFTWARE and related documentation are provided "AS IS" and without warranty of any kind. NOTWITHSTANDING ANY OTHER PROVISION OF THIS AGREEMENT, YAMAHA EXPRESSLY DISCLAIMS ALL WARRANTIES AS TO THE SOFTWARE, EXPRESS, AND IMPLIED, INCLUDING BUT NOT LIMITED TO THE IMPLIED WARRANTIES OF MERCHANTABILITY, FITNESS FOR A PARTICULAR PURPOSE AND NON-INFRINGEMENT OF THIRD PARTY RIGHTS. SPECIFICALLY, BUT WITHOUT LIMITING THE FOREGOING, YAMAHA DOES NOT WARRANT THAT THE SOFTWARE WILL MEET YOUR REQUIREMENTS, THAT THE OPERATION OF THE SOFTWARE WILL BE UNINTERRUPTED OR ERROR-FREE, OR THAT DEFECTS IN THE SOFTWARE WILL BE CORRECTED.

## 5. LIMITATION OF LIABILITY

YAMAHA'S ENTIRE OBLIGATION HEREUNDER SHALL BE TO PERMIT USE OF THE SOFTWARE UNDER THE TERMS HEREOF. IN NO EVENT SHALL YAMAHA BE LIABLE TO YOU OR ANY OTHER PERSON FOR ANY DAMAGES, INCLUDING, WITHOUT LIMITATION, ANY DIRECT, INDIRECT, INCIDENTAL OR CONSEQUENTIAL DAMAGES, EXPENSES, LOST PROFITS, LOST DATA OR OTHER DAMAGES ARISING OUT OF THE USE, MISUSE OR INABILITY TO USE THE SOFTWARE, EVEN IF YAMAHA OR AN AUTHORIZED DEALER HAS BEEN ADVISED OF THE POSSIBILITY OF SUCH DAMAGES. In no event shall Yamaha's total liability to you for all damages, losses and causes of action (whether in contract, tort or otherwise) exceed the amount paid for the SOFTWARE.

## 6. THIRD PARTY SOFTWARE

Third party software and data ("THIRD PARTY SOFTWARE") may be attached to the SOFTWARE. If, in the written materials or the electronic data accompanying the Software, Yamaha identifies any software and data as THIRD PARTY SOFTWARE, you acknowledge and agree that you must abide by the provisions of any Agreement provided with the THIRD PARTY SOFTWARE and that the party providing the THIRD PARTY SOFTWARE is responsible for any warranty or liability related to or arising from the THIRD PARTY SOFTWARE. Yamaha is not responsible in any way for the THIRD PARTY SOFTWARE or your use thereof.

- Yamaha provides no express warranties as to the THIRD PARTY SOFTWARE. IN ADDITION, YAMAHA EXPRESSLY DISCLAIMS ALL IMPLIED WARRANTIES, INCLUDING BUT NOT LIMITED TO THE IMPLIED WARRANTIES OF MERCHANTABILITY AND FITNESS FOR A PARTICULAR PURPOSE, as to the THIRD PARTY SOFTWARE.
- Yamaha shall not provide you with any service or maintenance as to the THIRD PARTY SOFTWARE.
- Yamaha is not liable to you or any other person for any damages, including, without limitation, any direct, indirect, incidental or consequential damages, expenses, lost profits, lost data or other damages arising out of the use, misuse or inability to use the THIRD PARTY SOFTWARE.

## 7. GENERAL

This Agreement shall be interpreted according to and governed by Japanese law without reference to principles of conflict of laws. Any dispute or procedure shall be heard before the Tokyo District Court in Japan. If for any reason a court of competent jurisdiction finds any portion of this Agreement to be unenforceable, the remainder of this Agreement shall continue in full force and effect.

## 8. COMPLETE AGREEMENT

This Agreement constitutes the entire agreement between the parties with respect to use of the SOFTWARE and any accompanying written materials and supersedes all prior or contemporaneous understandings or agreements, written or oral, regarding the subject matter of this Agreement. No amendment or revision of this Agreement will be binding unless in writing and signed by a fully authorized representative of Yamaha.

# Special Notices

- The software and this manual are the exclusive copyrights of Yamaha Corporation.
- Please read carefully the Software Licensing Agreement at the front of this manual before installing the application.
- Copying of the software or reproduction of this manual in whole or in part by any means is expressly forbidden without the written consent of the manufacturer.
- Yamaha makes no representations or warranties with regard to the use of the software and documentation and cannot be held responsible for the results of the use of this manual and the software.
- Future upgrades of application and system software and any changes in specifications and functions will be announced at the following website. <http://www.yamahaproaudio.com/>
- The screen displays as illustrated in this manual are for instructional purposes, and may appear somewhat different from the screens which appear on your computer.
- Copying of the commercially available musical data including but not limited to MIDI data and/or audio data is strictly prohibited except for your personal use.
- Windows is the registered trademarks of Microsoft® Corporation.
- The company names and product names in this manual are the trademarks or registered trademarks of their respective companies.

# M7CL V2 Editor

The M7CL V2 Editor (subsequently called M7CL Editor) enables you to prepare the M7CL version 2 mixing console (M7CL-48 and M7CL-32: subsequently called M7CL) settings beforehand by editing the parameters offline, and also remotely monitor/control the M7CL online.

## Installing the Software

Procedures		Windows
1	Verify that your system meets the operating requirements of each software program.	<a href="#">page 3</a>
2	Install the appropriate driver to your computer.	<a href="#">page 4</a>
3	Install the Studio Manager and each editor.	<a href="#">page 5</a>
4	Start up the Studio Manager, then start up the editor.	<a href="#">page 8</a>

For subsequent operations, refer to the PDF manual from the [HELP] menu in each software program.

## Software installation

### Minimum System Requirements

The system requirements below may differ slightly depending on the particular operating system.

OS	Windows XP Professional SP2 or later/XP Home Edition SP2 or later/Vista (32-bit)
Hard Disk	30MB or more
Display	1024 x 768 pixels or higher; High Color (16-bit) or higher
Other	Pointing device such as a mouse, Ethernet (100BASE-TX/10BASE-T) port

#### Windows XP Professional SP2 or later/XP Home Edition SP2 or later

CPU	1GHz or higher Intel Core/Pentium/Celeron family processor
Available Memory	512MB or more

#### Windows Vista (32-bit)

CPU	1.4GHz or higher Intel Core/Pentium/Celeron family processor
Available Memory	1GB or more

**NOTE** The Minimum System Requirements described above are applied to the M7CL V2 Editor version 2.5.0. Keep in mind that the software is often updated and the system requirements are subject to change. You can check the latest version information of each program and its system requirements at the following website

<http://www.yamahaproaudio.com/>

The system requirements may differ slightly depending on the particular computer.

## Installing software

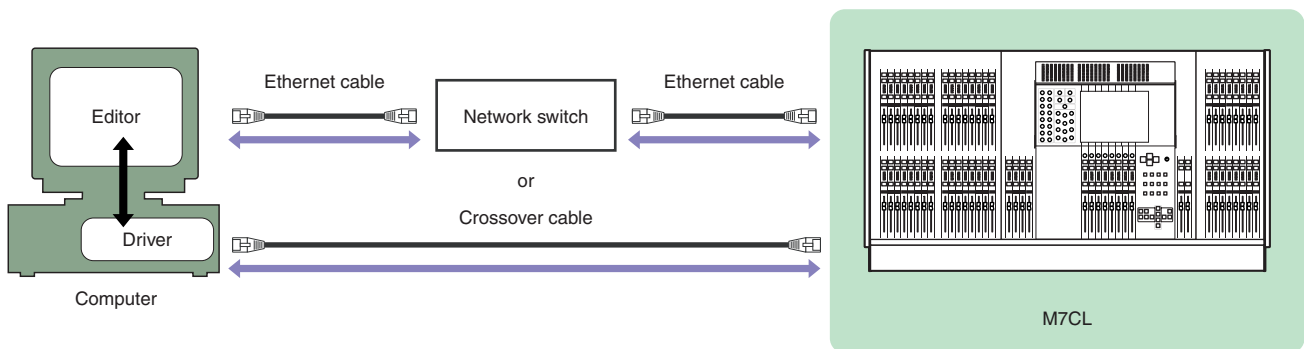
To use M7CL Editor, you'll need to install the following software programs. Follow the appropriate instructions below.

- **DME-N Network Driver**
- **Studio Manager**
- **M7CL Editor**

### • DME-N Network Driver

To operate the M7CL from your computer via Ethernet, you'll need to install the DME-N Network Driver software.

DME-N Network Driver is software that transfers MIDI data back and forth between your computer and the M7CL via Ethernet cable.



You can download the latest version of DME-N Network Driver at the following website. For specific installation instructions, refer to the installation guide included in the downloaded file.  
<http://www.yamahaproaudio.com/>

## Studio Manager Installation

Studio Manager is a cross-platform application that enables you to use multiple Editor programs for remotely controlling Yamaha hardware from your computer, and allows you to save the Editor settings for instant recall. For specific instructions on using the software, refer to the PDF manual from the [HELP] menu in the Studio Manager and each Editor.

You can download the latest version of Studio Manager at the following website. For specific installation instructions, refer to the installation guide included in the downloaded file.

<http://www.yamahaproaudio.com/>

## M7CL Editor Installation

Follow the instructions below to install the software programs.

**1** Extract the data from the downloaded compressed file and open the “m7clv2\_edt\*\*\*\_win” folder.

“\*\*\*” represents the version number.

**2** Double-click “setup.exe.”

A setup dialog of M7CL Editor is displayed.

**NOTE** When using Windows Vista, if the “User Account Control” window appears, click [Continue].

**3** Follow the on-screen instructions to install the software.

**NOTE** For specific instructions on using the software, refer to the PDF manual from the [HELP] menu in each program.

## Uninstall (removing the installed application)

---

To remove the installed editors and Studio Manager:

### When using Windows XP

Select [START] → [Control Panel] → [Add/Remove Programs] → [Install/Uninstall], then select the application to be removed and click [Add/Remove...].

Follow the on-screen instructions to uninstall the application.

### When using Windows Vista

Select [START] → [Control Panel] → [Programs and Features] → [Uninstall or change a program], then select the application to be removed and click [Uninstall/Change].

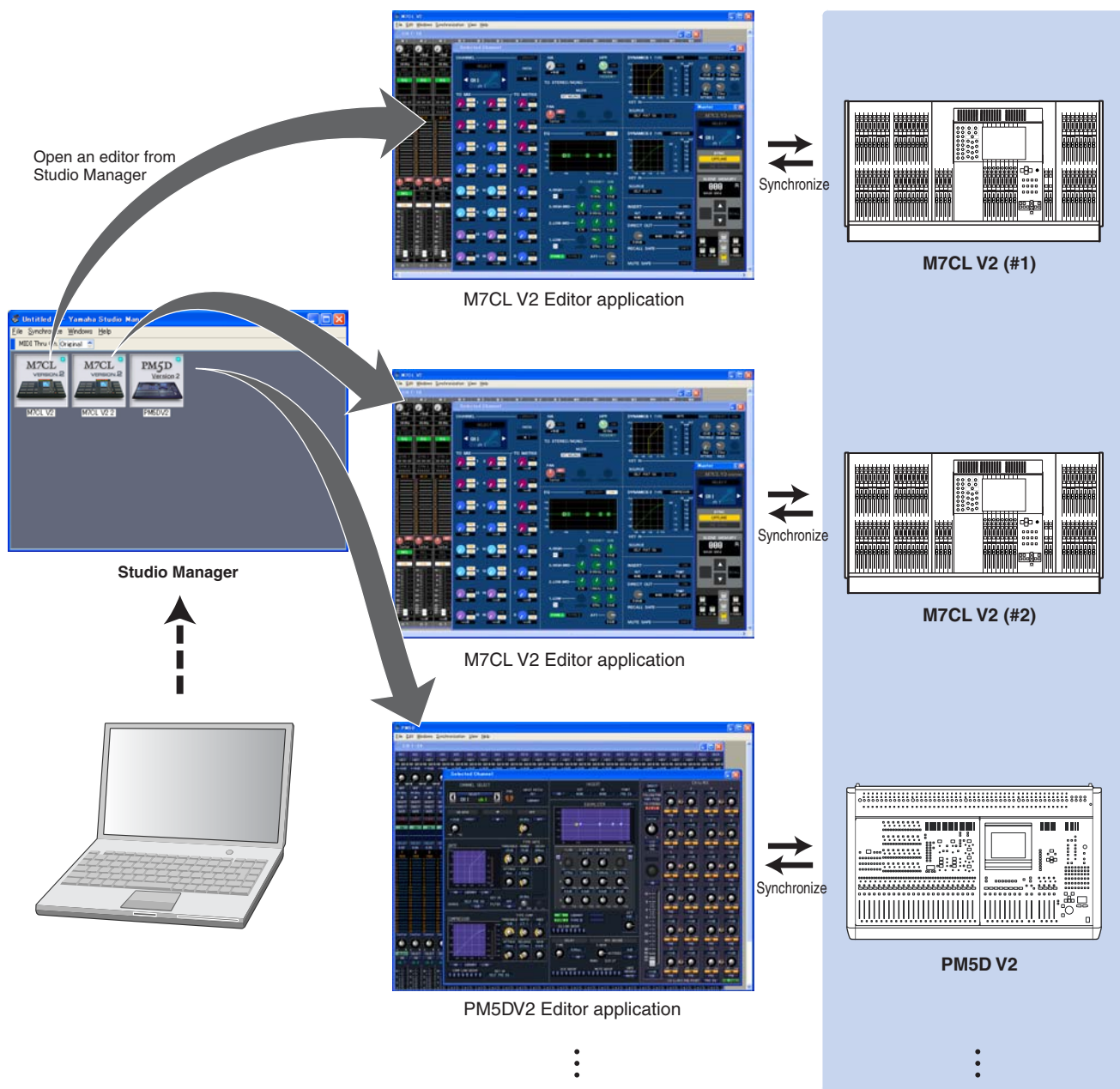
Follow the on-screen instructions to uninstall the application.

If the “User Account Control” window appears, click [Continue].

# Getting Started

## Overview of Studio Manager and Recall

Studio Manager is a cross-platform application that enables you use multiple Editor programs for remotely controlling Yamaha hardware from your computer, and allows you to save the Editor settings for instant recall.



The settings of each editor can be saved and recalled together from Studio Manager. In other words, you can change the settings of your entire system in a single operation by recalling the settings for multiple devices from Studio Manager. This capability is referred to as “Recall.”

When you want to save setting files, you can do this from Studio Manager to recall multiple devices at once, or from an individual Editor to recall only a specific device.

## Network settings of the M7CL

---

- When connecting the computer to the M7CL directly.  
You can use the following initial settings.

IP address	192.168.0.128
Gateway address	192.168.0.1
Subnet mask	255.255.255.0

- When you connect the computer to the M7CL via LAN.  
Set the appropriate address in accordance with LAN.  
Your computer and the M7CL should exist in the same subnet in the same network address.

IP address	Sets the IP address so that it does not conflict with the IP address of any other device on the network.
Gateway address	If you set the IP address, the first three numbers are automatically set. Set the last number of the IP address of the gateway when the gateway exists. Set the vacant address when the gateway does not exist. You should set the address in the same subnet as IP address. The address should be set in the same subnet as IP address within LAN in which the subnet is set.
Subnet mask	Use an initial setting of [255.255.255.0] in LAN environment in which the subnet is not set. In LAN in which the subnet is set, set the address in accordance with the environment.

## Network settings of computer

---

If you are connecting the M7CL to your computer in a one-to-one connection, we recommend that you make the following settings.

IP address	192.168.0.3
Subnet mask	255.255.255.0
Default gateway	192.168.0.1

However, it must not conflict with the IP address of any other device on the network.

**NOTE** The M7CL cannot be directly connected if the IP address is assigned automatically.  
Please contact your network administrator for further detail.

# Starting and setting up Studio Manager

---

You'll need to perform the following setup in order to use the editors in Studio Manager.

## 1 Start up Studio Manager.

Click the [Start] button, place your mouse cursor over [Programs (All Programs)] → [YAMAHA Studio Manager], then click [Studio Manager].

## 2 Set up Studio Manager.

For details, refer to the PDF manual, found in the [Help] menu on the Studio Manager.

## 3 Start up each editor.

In the Studio Manager window, double-click the icon for each editor.



Studio Manager window

## 4 Set up each editor.

For details, refer to the PDF manual, found in the [Help] menu on each editor.

## 5 Synchronize each editor with your mixing console.

For details, refer to the PDF manual, found in the [Help] menu on each editor.



# Troubleshooting

## When controlling the M7CL from your computer via Ethernet, the M7CL does not operate correctly.

- Have you installed the latest DME-N Network Driver?
- Is the Ethernet cable connected correctly? ..... M7CL Owner's Manual
- Is the DME-N Network Driver set up appropriately? Did you enter an appropriate IP address?  
..... DME-N Network Driver Installation Guide
- Is the computer network setup appropriate?  
Select → [Start] → [Settings] → [Control Panel] → [Network Connections] → [Local Area Connection] → [Property],  
and confirm the network setup. .... DME-N Network Driver Installation Guide
- Are the settings of the M7CL and network devices (including hubs) appropriate?  
..... M7CL Owner's Manual or Network device's Owner's Manual
- Have you selected an appropriate network ports in the M7CL Editor? ..... M7CL V2 Editor Owner's Manual
- In case the firewall function is enabled for your Windows XP SP2 or SP3 Installation, an alert message will be displayed indicating that the program is blocked during first start-up of M7CL Editor.  
In that case, please select the 'Unblock' option.
- In case the firewall Anti Virus (security) function is enabled you might experience problems controlling M7CL console.  
In that case, please turn off this firewall function.