

About satellite connection

The SATELLITE connectors on the VXS10S/VXS10ST allow for the connection of satellite mid-high speakers to be used at the same amplifier output. This gives the benefit of reducing the number of amplifier channels and takes advantage of the high pass filter built in to the VXS10S/VXS10ST. The high-pass filter is optimized for use with the following recommended speakers.

Recommended satellite speakers

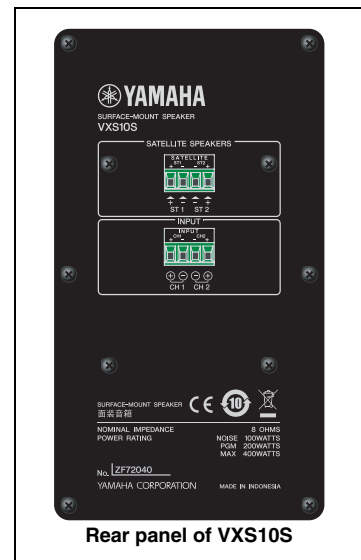
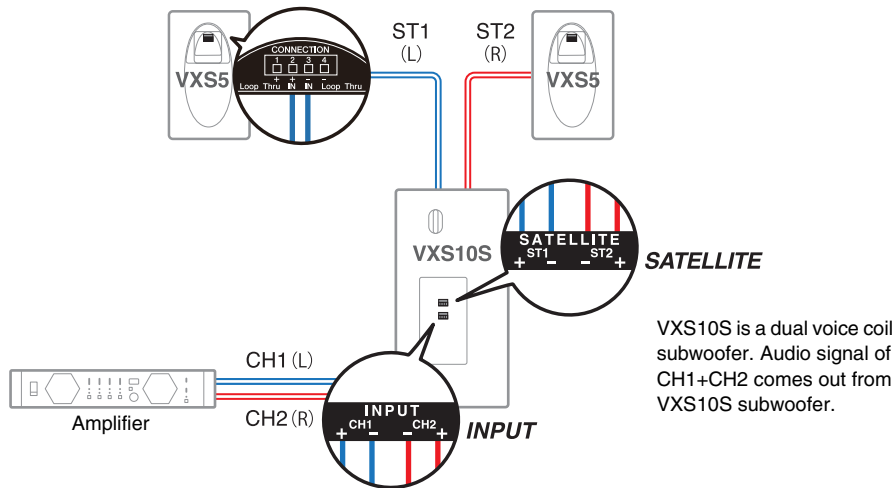
- Surface mount speaker VXS5 / VXS5W
- Ceiling speaker VXC4 / VXC4W or VXC6 / VXC6W

*VXS5 is used for illustrations/explanations in this guide.

Connection examples

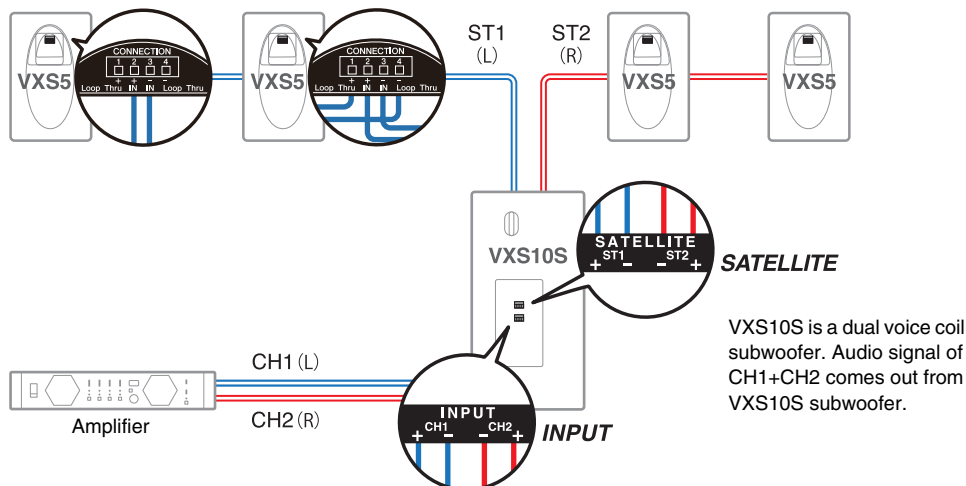
VXS10S + two VXS5 (stereo system)

Basic system for stereo playback



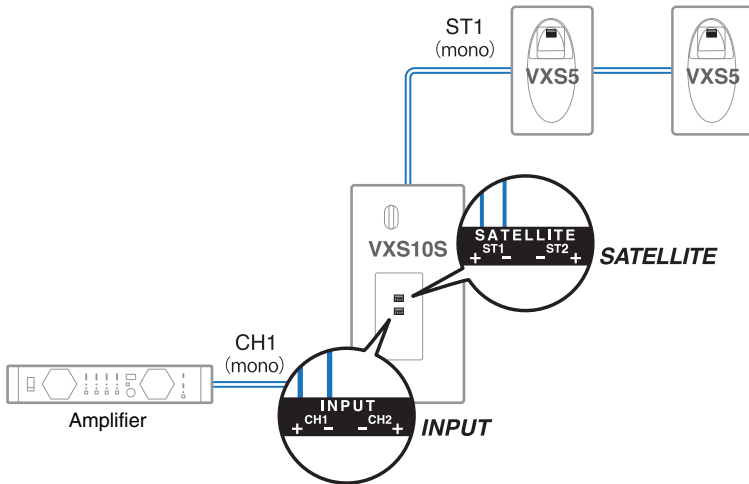
VXS10S + four VXS5 (stereo system)

Stereo playback with wider coverage



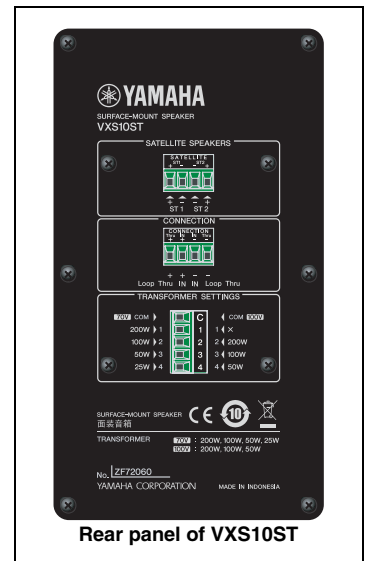
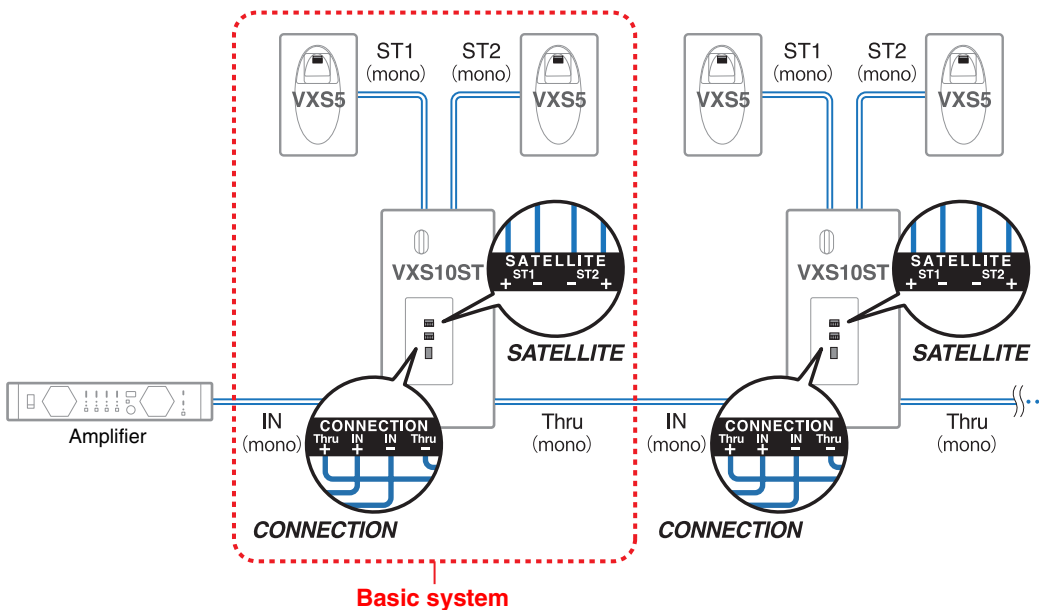
VXS10S + two VXS5 (monaural system)

Here is an alternative system. Note that in this system, as one rather than both voice coils is driven, some specifications, such as the maximum sound pressure level will differ from the product specification sheet.



VXS10ST + two VXS5 (monaural system)

Here is an example of a high impedance system comprising a VXS10ST subwoofer and two monaural satellites, driven from a single amplifier channel. This can be further expanded with a second identical system, linked together using the Thru connector on the first VXS10ST. Multi satellite systems can be structured using a single amplifier channel.



Notes on connecting satellite speakers

All satellite speakers must be set to 8 ohms (not 100V/70V taps) when connected to the satellite outputs of the VXS10S/VXS10ST.

■ VXS10S

Connect so that the total combined impedance of the satellite speakers is 4 ohms or above per ST1 / ST2 connector.

■ VXS10ST

Connect so that the total combined impedance of the satellite speakers is 8 ohms or above per ST1 / ST2 connector.

Examples of total combined impedance

