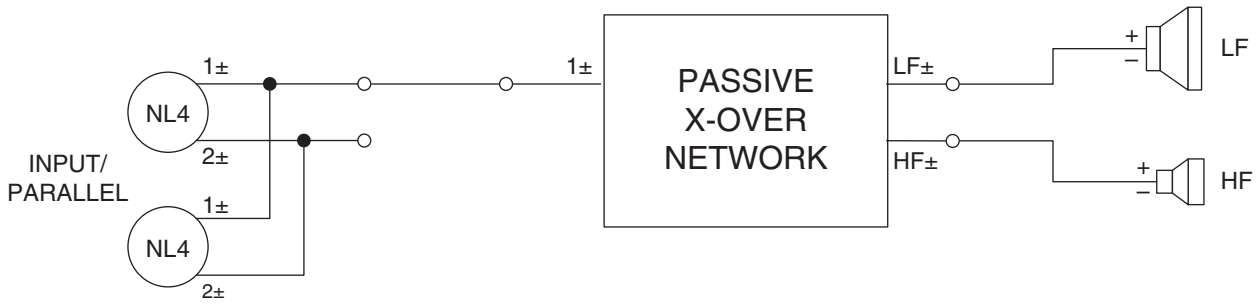


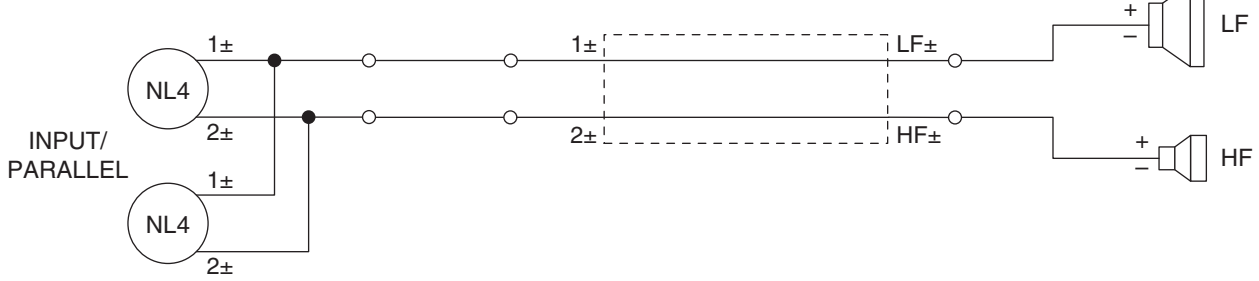
Block Diagram

CZR

Passive mode (Factory setting)



Bi-amp mode (Selectable)



CXS XLF

